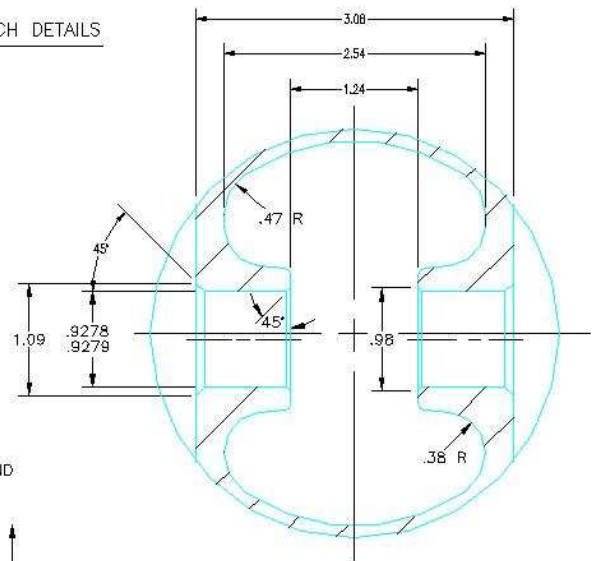
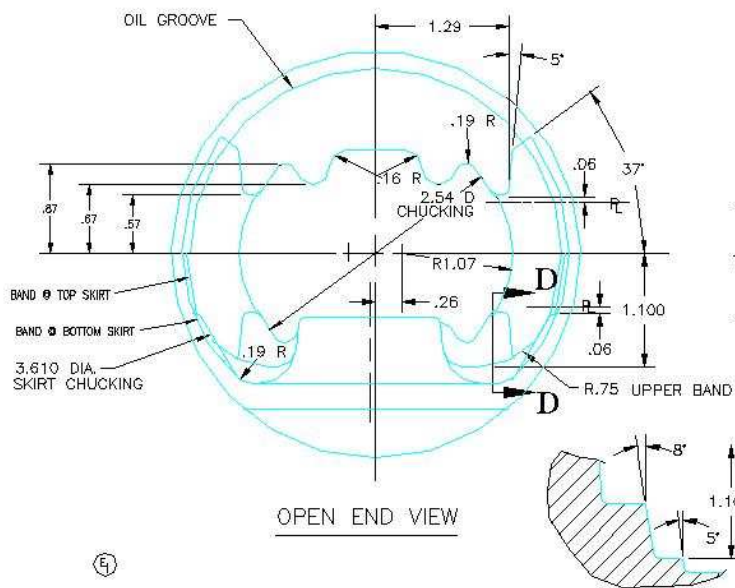


SECTION D-D

SECTION THRU OIL GROOVE

BROACH DETAILS



OPEN END VIEW

SECTION THRU PIN HOLE

(E)